

### REHABILITATION OF EXISTING WSHALLOW WELL

**NOTES:**

- the top portion of the well must be protected by mansory and refilling with imported hardcore boulder materials
- A permanent drainage pump must be properly installed and the delivery pipe connected with the water tank as specified in the drawing. Electric cable must be installed inside HDPE corrugated pipe DN 3"

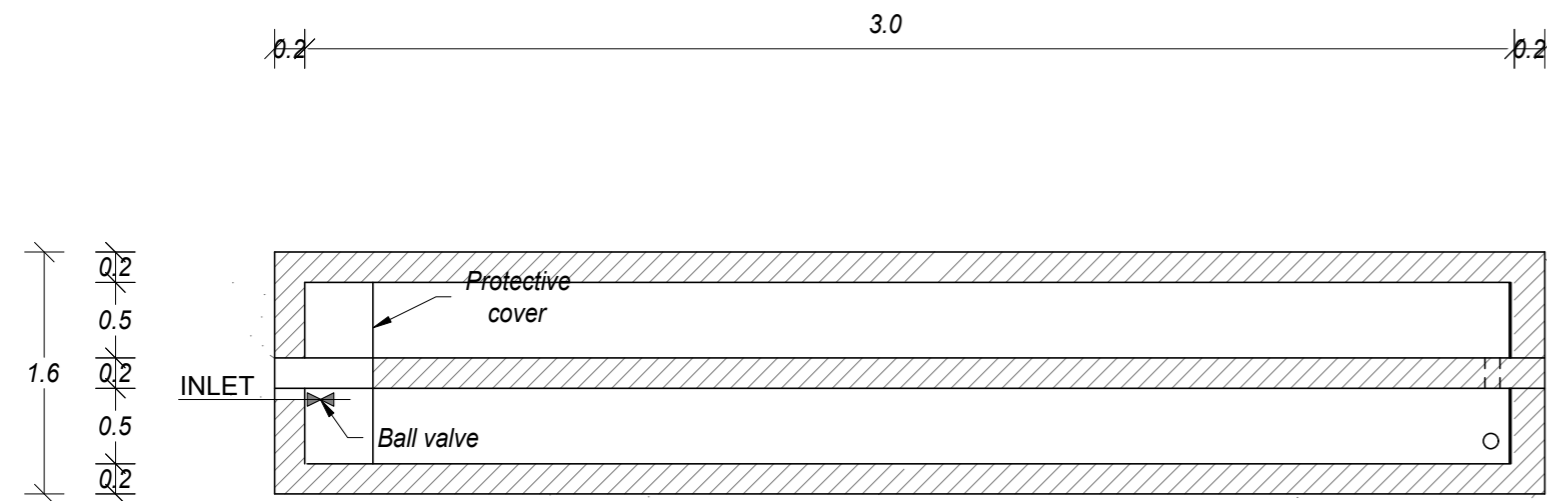
No.	REVISION DESCRIPTION	BY	DATE
1	FIRST EMISSION	A.C.	MAY 2026



Project:	Active Project
Site'sName:	Rehabilitation of a well at Midigale site
Drawing's Title:	Rehabilitation of existing w Shallow well
Drawing's Number:	01

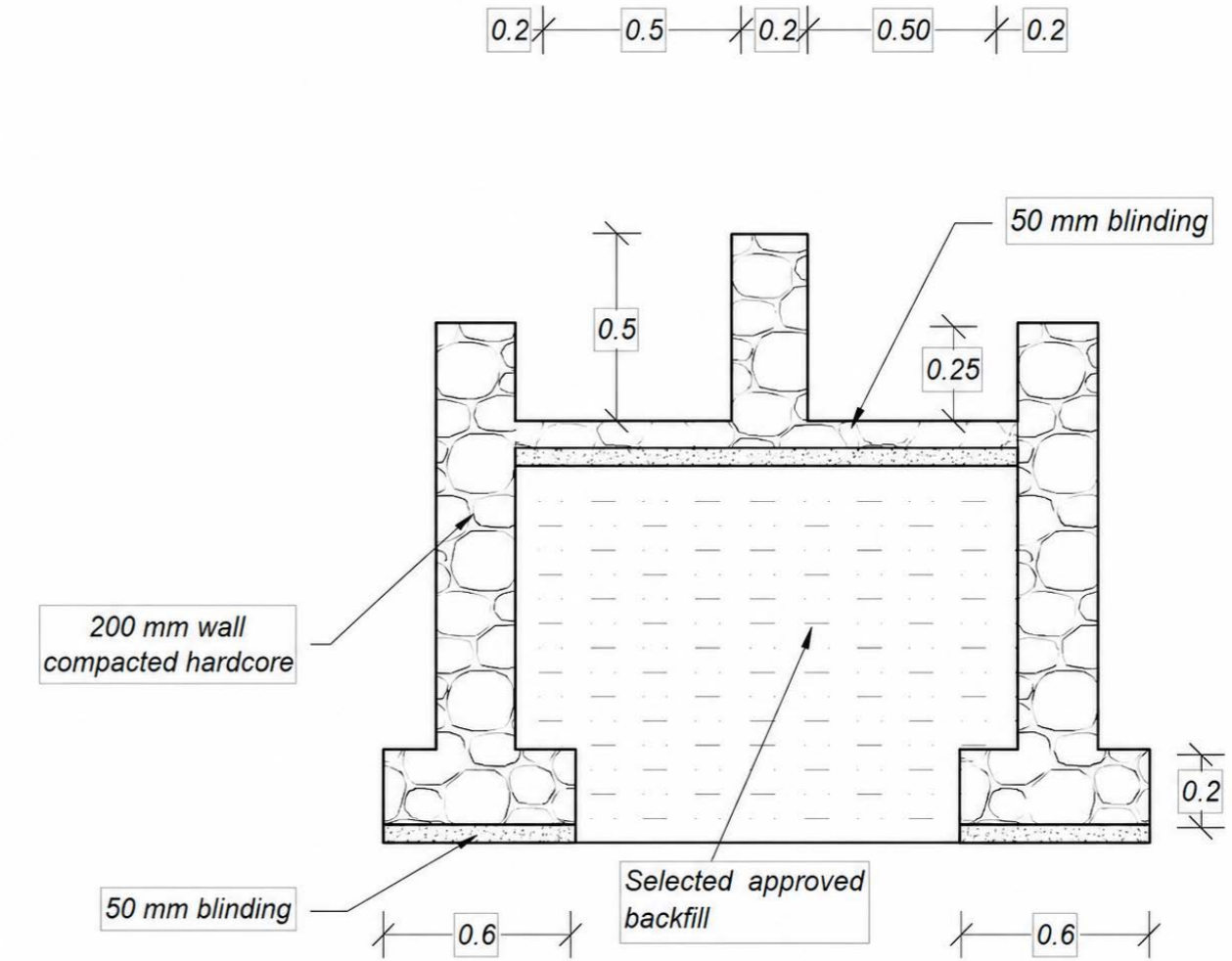
### SHOATS WATER TROUGH PLAN

Scale: 1:50



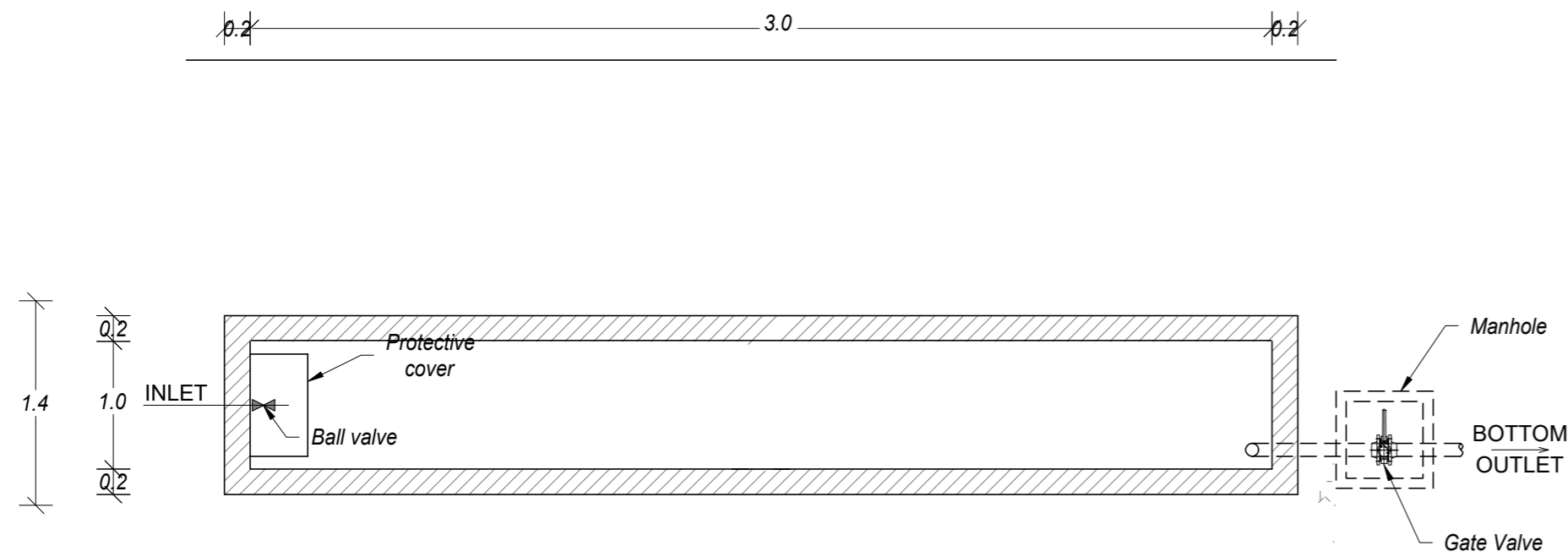
### SHOATS TROUGH SECTION

Scale: 1:25



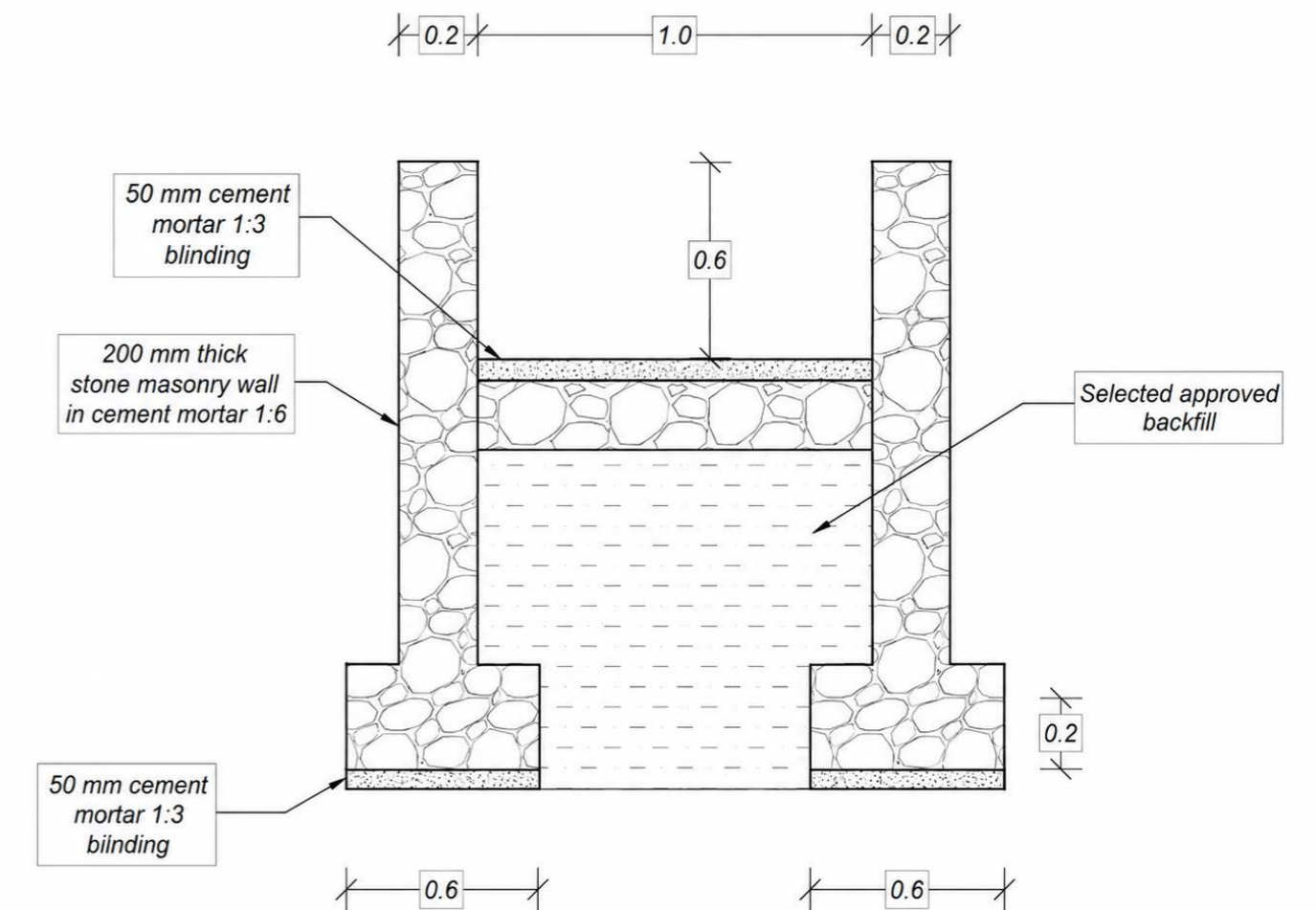
### CAMEL WATER TROUGH PLAN

Scale: 1:50



### CAMEL TROUGH SECTION

Scale: 1:25

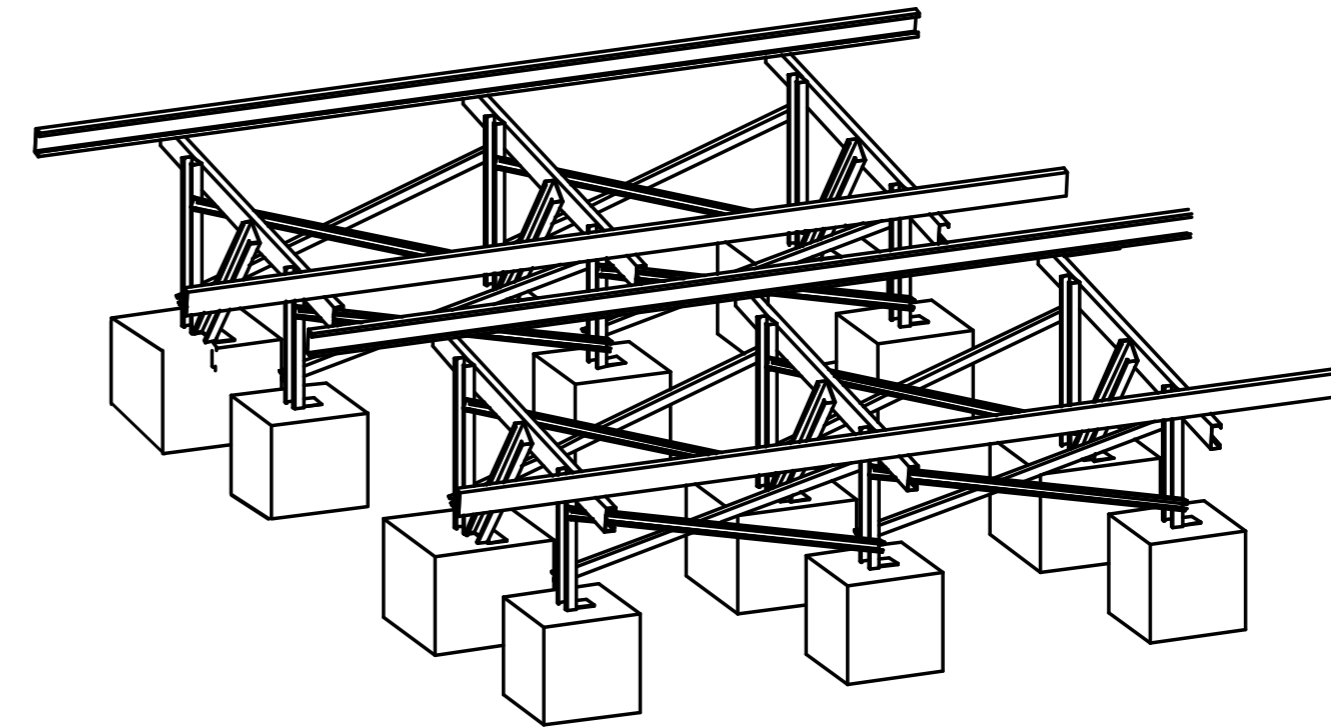
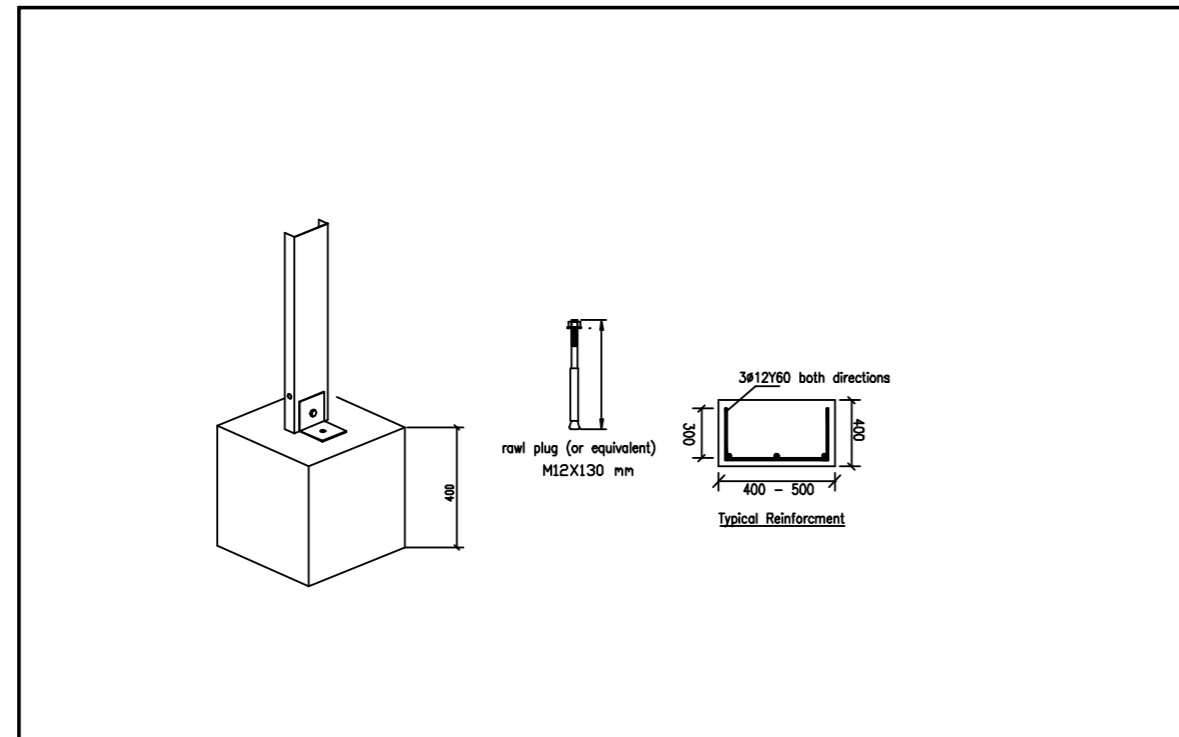
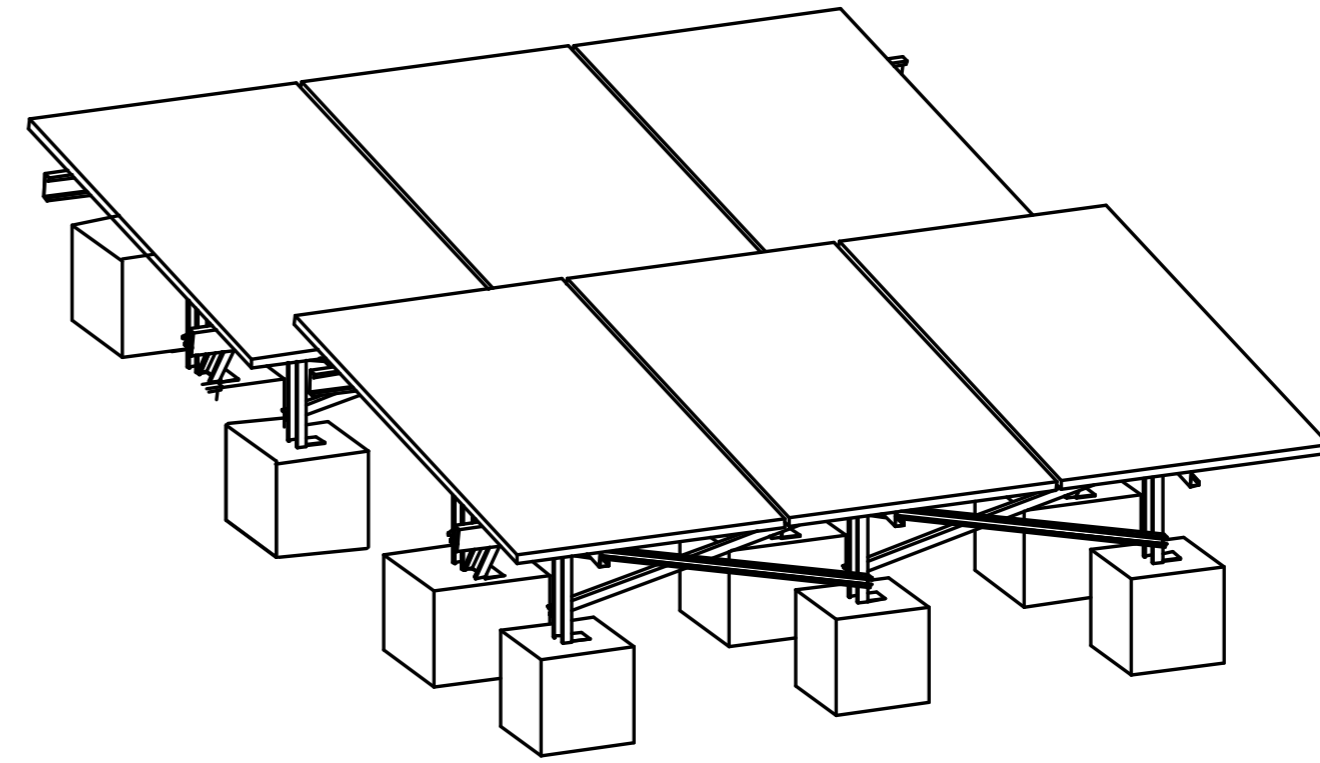
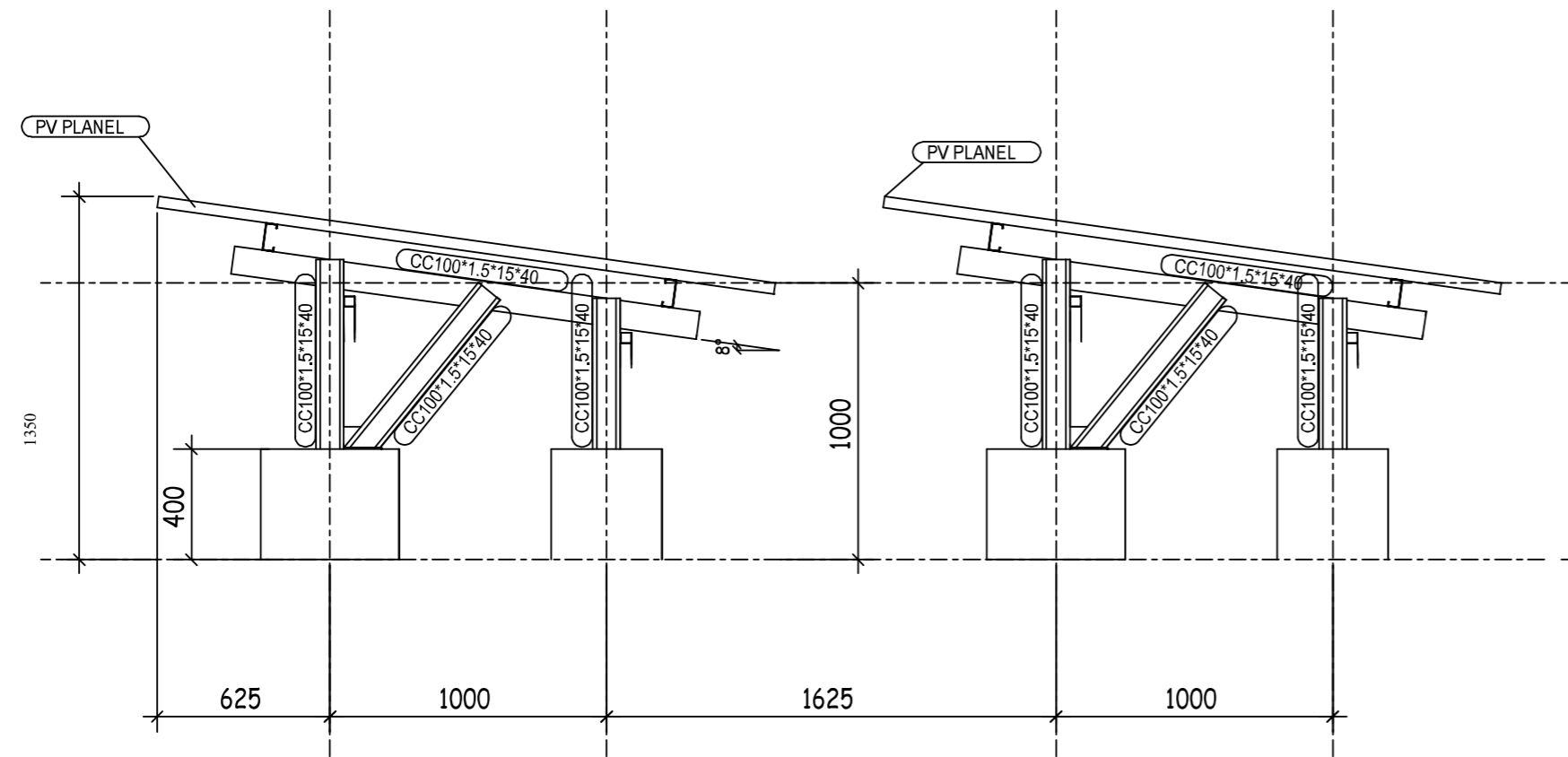


No.	REVISION DESCRIPTION	BY	DATE	NOTES
1	FIRST EMISSION	A.C.	MAY 2026	

1. CONCRETE CLASS M25 - MIX RATIO (CEMENT:SAND:COARS AGGREGATE) 1:1:2 - MAX WATER/CEMENT RATIO = 0.45



Project:	Active Project
Site's Name:	Rehabilitation of a well at Midigale Site
Drawing's Title:	Shoats & Camel Water Trough Plan and Section
Drawing's Number:	02



3D VIEW PV SYSTEM AND STEEL STRUCTURE

No.	REVISION DESCRIPTION	BY	DATE	NOTES
1	FIRST EMISSION	A.C.	MAY 2026	1. CONCRETE CLASS M25 - MIX RATIO (CEMENT:SAND:COARS AGGREGATE) 1:1:2 - MAX WATER/CEMENT RATIO = 0.45



Windle International Som

Project:	Active Project
Site's Name:	Rehabilitation of a well at Midigale Site
Drawing's Title:	Power System
Drawing's Number:	03

